

Steel FF3450 Stainless Steel

The effortless modern design of Franke's Steel faucets are constructed of solid stainless steel for superior corrosion resistance, inside and out, making these faucets a culinary necessity.

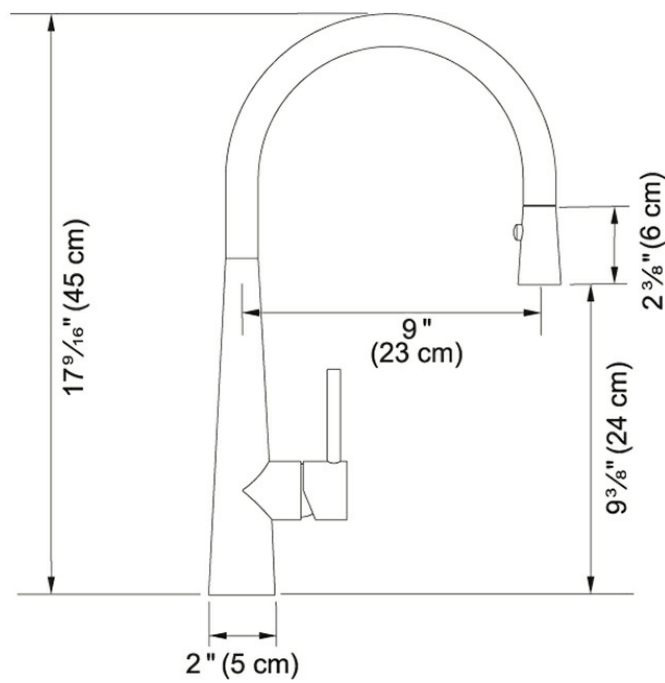
Product Picture



Product Information

Version	Arc Spout
Spray Type	Full and Needle Spray
Faucet Operation	Side Lever
Flow Rate	1.75 gpm
Cartridge	Ceramic Cartridge
Where to buy	Showroom
Countertop hole diameter	1 3/8"

Technical Drawing



Article Numbers

FUN#	115.0355.504
US Part Number	FF3450

