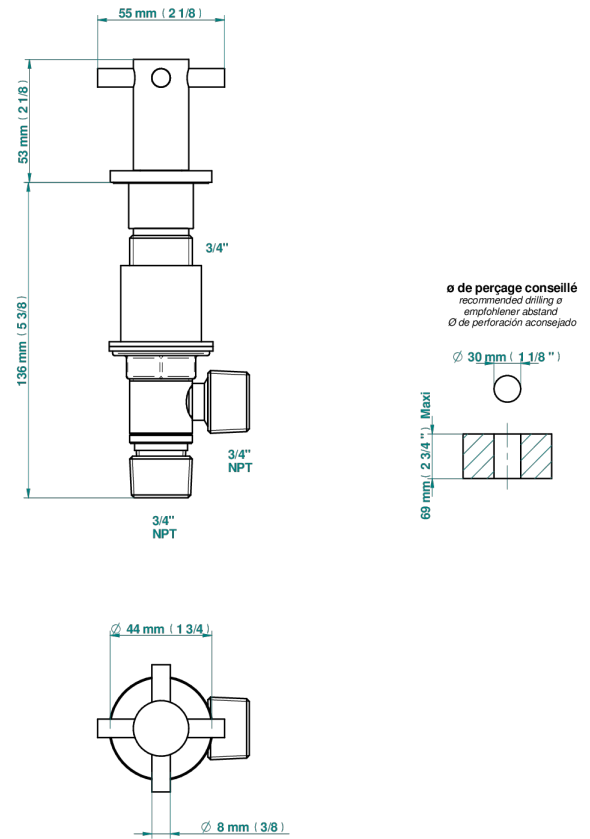


# NANO

G5A-36/US

3/4" deck valve with trim



50889

25/05/2021

## CHARACTERISTIC

- ASME : ASME A112.18.1-2011/CSA B125.1-11

## STANDARDS



C<sup>®</sup>

## AVAILABLE FINITIONS

- Chrome polished - A02
- Chrome polished / gold polished - G02
- Gold mat - F07
- Gold polished - F01
- Matt chrome (American satin) - C02
- Matt nickel (American satin) - C01

- Nickel antique / Sovereign - H28
- Nickel polished - B01
- Soft gold - F30
- Soft matt gold - F31