



Vessel Sinks

VC 842A

CUBE COLLECTION

Design WETSTYLE Design Lab

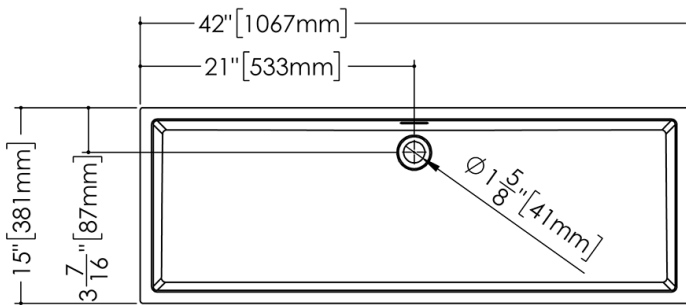


FEATURES

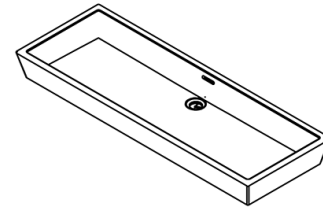
Handcrafted in Montreal, Canada
 Installation type: above-counter
 Available with or without overflow
 Overflow trim finish options: polished chrome, brushed nickel, matte black, satin brass or no metallic trim
 Oak bridge wenge shade included

TECHNICAL DETAILS

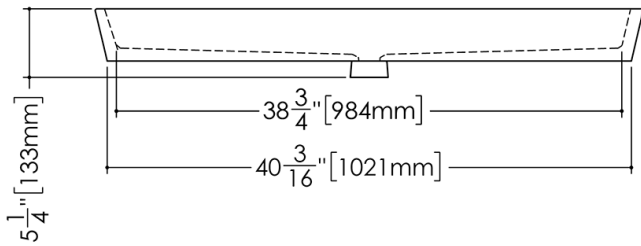
- **Width:** 15"
- **Length:** 42"
- **Height:** 4"
- **Weight:** 34 lbs / 15 kg



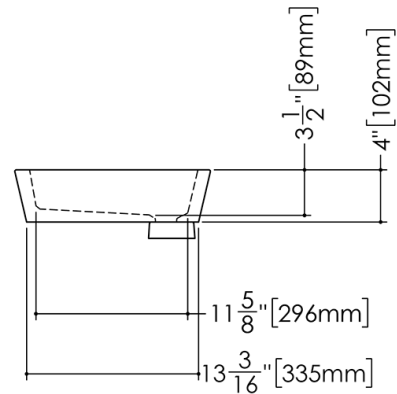
Top View



Perspective view
Esc: 1:20



Front View



Side View

VC 842

WETSTYLE cannot be held responsible for any technical errors and reserves the right to make revisions without notice. Approximate measurement. The manufacturer accepts 1/4" (6.35mm) variance.

OPTIONS

Model

- VC842A

WETMAR BiO Finish

- White Matte (#MA)
- White True High Gloss (#GA)

Overflow

- No Overflow
- With Overflow - Brushed Nickel (#BN)
- With Overflow - Matte Black (#MB)
- With Overflow - No Trim (#NT)
- With Overflow - Polished Chrome (#PC)
- With Overflow - Satin Brass (#SB)